

The OPL 9712 is equipped with bluetooth interface and offers secure wireless communication. This model is provided with an alpha-numeric keypad and a graphical display. It is standard equipped with an integrated barcode laser scanner, memory, a real-time clock and supplied with a rechargeable battery.

Data collector

OPL 9712

Barcode data collector with keypad and Bluetooth interface



Features

- Bluetooth interface
- SPP and DUN profiles supported
- (Alpha-)Numeric keypad
- IrDA interface
- Flash ROM and RAM memory

Benefits

- Enables wireless communication
- Allows easy connection to mobile phones and PDA's
- Data entry possibilities
- Optical data transmission to cradle
- Provides program and data storage

Cabled

Wireless

Stationary

OEM

OPTICON
always scanning for new ID's

Specifications

OPL 9712 Barcode data collector with keypad and Bluetooth interface

Electrical specifications

Main battery pack: Li-Ion rechargeable 3,7 V / nom. 600 mAh
Main battery pack operating time: Ca. 35 hrs (Per 5 seconds / 1 scan with Backlight OFF, 1 sec laserbeam on, 0,2 sec. green LED on, 0,2 sec. buzzer on, 0,5 second Bluetooth discovery or Bluetooth communication)
Backup battery: Lithium rechargeable 3,5 mAh
Backup battery operating time: > 1 week backup
Charging method: The main battery in data collector will be charged through the cradle. The backup battery will be charged by the main battery.

Optical specifications

Light source: 650 nm visible laser diode
Scan method: vibrating mirror
Scan rate: 100 scans/sec
Decode rate: 100 decodes/sec
Reading angle: effective 44°
Reading pitch angle: +8 - +50° / -8 - -50°
Reading skew angle: ± 35°
Reading tilt angle: 20°
Reading width: See D.O.F. diagram.
Min. Resolution at PCS 0.9: 0.15 mm (6mil)
Min. PCS value: 0.45
Depth of field: 60 - 300 mm / 2.36 - 11.81 (UPC PCS0.9, resolution 1.00), 35 - 210 mm / 1.18 - 8.27 (UPC PCS0.9, resolution 0.5), 35 - 120 mm / 1.18 - 4.72 (UPC PCS0.9, resolution 0.25), 35 - 70 mm / 1.18 - 1.38 (UPC PCS0.9, resolution 0.15)

Identification

Supported barcode symbologies (1D): Chinese Post - Codabar incl. ABC and CX - Code 11 - Code 39 - Code 39 Full ASCII - Code 93 - Code 128 - EAN-8 incl. +2,+5 - EAN-13 incl. +2,+5 - EAN-128 - IATA - Industrial 2of5 - Interleaved 2of5 - Italian Pharmaceutical - ISBN - ISSN - Korean Postal Authority code - Matrix 2of5 - MSI/Plessey - UK/Plessey - RSS-14 - RSS Limited - RSS Expanded - Telepen - UPC-A incl. +2,+5 - UPC-E incl. +2,+5
Supported 2D code symbologies: MicroPDF417 - PDF417

Communication

Interface: Bluetooth
Details: Ver. 2.0, 2.4 GHz
Profile: GAP, SPP, DUN
Operation range: depending on environment characteristics the prospective reach distance is 10 meters
Connection mode: 1 to 1
Operation mode: master, slave
Low power mode: park, sniff, hold
Security mode: authentication, encryption

Functionality

Trigger mode: manual
Memory FlashROM: 512 kB (O/S and program)
Memory RAM: 512 kB (data storage) / optional 1MB
Microprocessor: 16-bit
Real time clock: Quartz RTC, time and date programmable, leap year handling, (accuracy +/- 60 sec./month)
Display: 112x64 Pixels graphic LCD
Character fonts: min. 4 lines x 14 characters, max. 10 lines x 18 characters
Keyboard: 18 keys total, 2 function keys, 1 scan key
Programming: Functionality is provided by user application.

Environmental specifications

Temperature in operation: 0 - +40 °C/ +32 - +104 F
Temperature in storage: -20 - +60°C / -4 - +140 F
Humidity in operation: 20 - 80 % (non condensing)
Humidity in storage: 20 - 90 % (non condensing)
Ambient fluorescent light immunity: 3,000 lx max
Ambient white light immunity: 3,000 lx max
Ambient direct sun light immunity: 50,000 lx max
Shock drop test: 1.5 m drop onto concrete surface
Shock vibration test: 12 - 100 Hz with 2G for 1 hour

Physical specifications

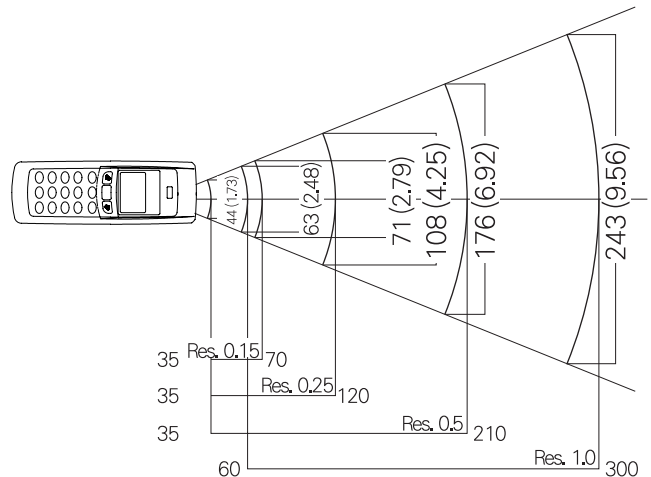
Dimensions: 129 x 44 x 23 mm / 5.08 x 1.73 x 0.90 inches
Case material: ABS
Weight body: Ca. 100 g / 0.22 pounds / 04 oz

Regulatory

Laser safety class: IEC 825, Class I laserproduct
EMC: EN 55022, EN 55024
R&TTE: EN 300-328, ETS 300-826

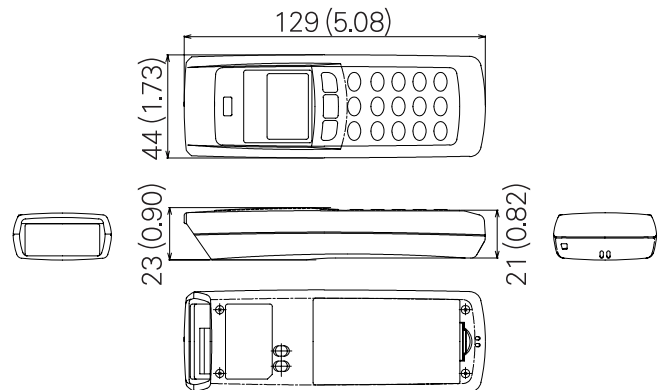
Depth of field

The reading width is a calculated value and is for guidance only.
Unit: mm (inches)



Dimensions

Unit: mm (inches)



Accessories

Sold separately
Charger: CRD 9722
Single cradle: CRD 9723 RU (charging / communication)
Multiple cradle: CRD 9723 RU1 (5 charging / 1 communication) / CRD 9723 RU5 (5 charging / 5 communication)

Copyright Opticon Sensors Europe B.V. All rights reserved. This information is subject to change without prior notice. Printed 08/2006

- The Netherlands: Hoofddorp
- France: ISSY Les Moulineaux CEDEX
- Germany: Dietzenbach
- Italy: Castel Maggiore (BO)
- Spain: Valencia
- Sweden: Järfälla
- United Kingdom: Luton, Bedfordshire
- U.S.A.: Orangeburg, NY - Bellevue, WA
- Japan: Warabi City
- Taiwan: Taipei
- P.R.China: Shanghai
- Australia: Kariong

Opticon Sensors Europe B.V.
European headquarters
Opaallaan 35
2132 XV Hoofddorp
The Netherlands
phone: +31 (0)23-5692700
fax: +31 (0)23-5638266
email: sales@opticon.nl
internet: www.opticon.com

www.opticon.com
OPTICON
always scanning for new ID's